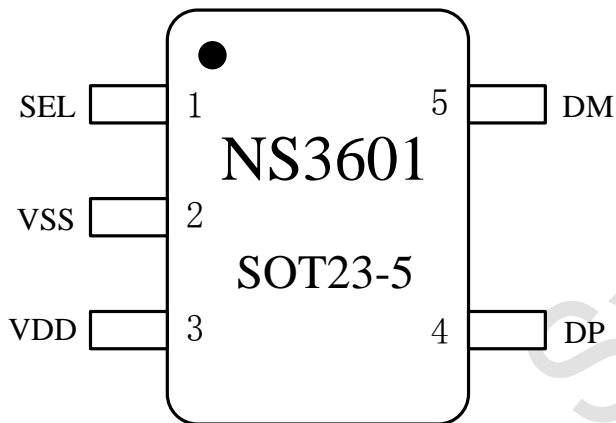


NS3601 USB Fast Charging Port Controller

Introduction

NS3601 is an USB Fast Charging Port Controller IC. The NS3601 monitors USB data line voltage, and automatically provides the correct electrical signatures on the data lines to charge not only USB BC compliant devices, but also Apple/Samsung devices. This feature implies wide range of end product applications and provides design flexibility for system manufactures. The NS3601 can be used in vehicle USB power charger, AC-DC adapter with USB port, power bank, and other USB charger.

Pin Out



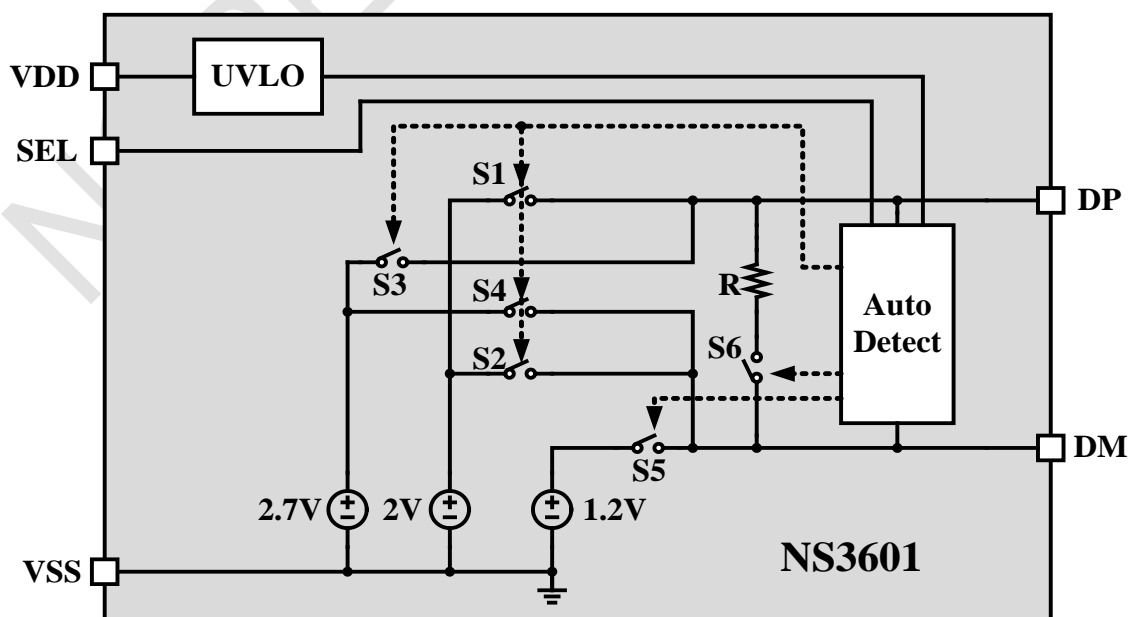
Applications

- AC-DC Adapter with USB Port
- Power bank
- Vehicle USB Power Charger

Features

- Supports USB DCP shorting D+ Line to D- Line per USB Battery Charging Specification (BC 1.2)
- Supports Shorted Mode (Shorting D+ Line to D- Line) per Chinese Telecommunication Industry Standard YD/T 1591-2009
- Supports Apple maximum 2.4A Divider mode (SEL pin to select divider1/divider3 mode)
- Supports USB DCP Applying 1.2V on D+ and D- Lines (Samsung DCP 1.2V mode)
- Automatically Switch D+ and D- Lines Connections for an Attached Device
- Single USB Port Controller
- Operating Range: 4.5V to 5.5V
- Available in SOT23-5 Package
- Footprint compatible with GL888, UC2635

Block Diagram



NOREL Systems Ltd.

8 Huatian Road, Building B, Suite 1108, Hi-tech Information Square, Huayuan Industrial Park, Tianjin, China