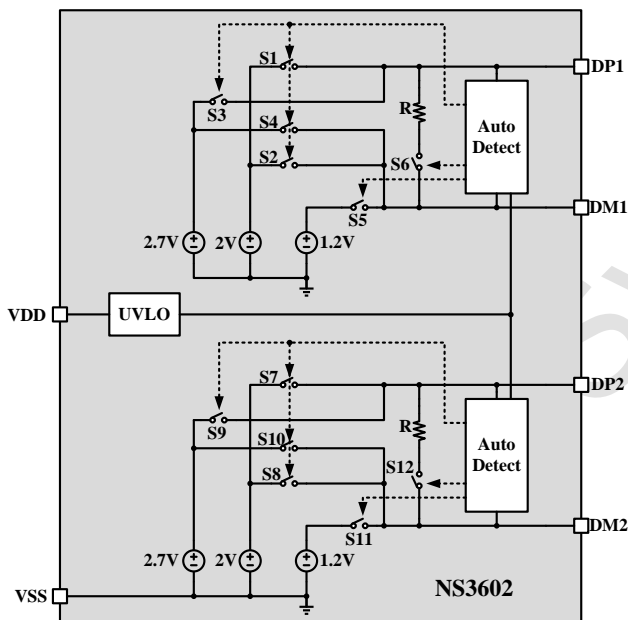


NS3602/NS3603 USB Fast Charging Port Controller

Introduction

NS3602 and NS3603 are USB Fast Charging Port Controller ICs. The NS3602/NS3603 monitors USB data line voltage, and automatically provides the correct electrical signatures on the data lines to charge not only USB BC compliant devices, but also Apple/Samsung devices. This feature implies wide range of end product applications and provides design flexibility for system manufactures. The NS3602/NS3603 can be used in vehicle USB power charger, AC-DC adapter with USB port, power bank, and other USB charger.

Block Diagram



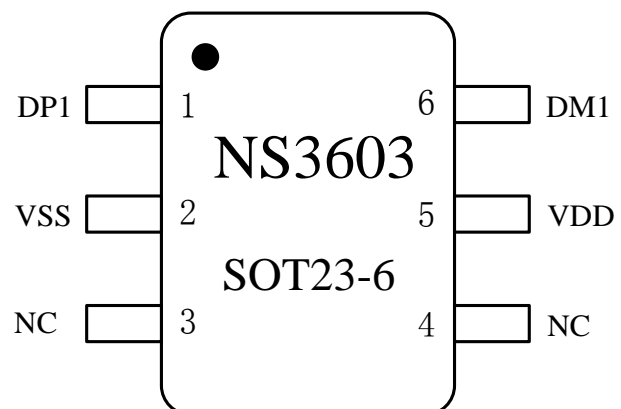
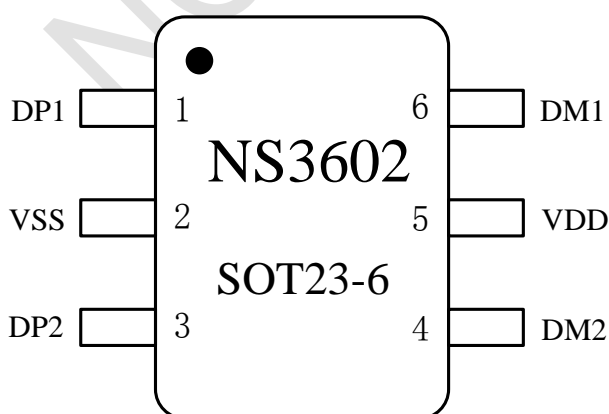
Applications

- AC-DC Adapter with USB Port
- Power bank
- Vehicle USB Power Charger

Features

- Supports USB DCP shorting D+ Line to D- Line per USB Battery Charging Specification (BC 1.2)
- Supports Shorted Mode (Shorting D+ Line to D- Line) per Chinese Telecommunication Industry Standard YD/T 1591-2009
- Supports Apple maximum 2.4A Divider mode
- Supports USB DCP Applying 1.2V on D+ and D- Lines (Samsung DCP 1.2V mode)
- Automatically Switch D+ and D- Lines Connections for an Attached Device
- Operating Range: 4.5V to 5.5V
- Available in SOT23-6 Package
- Footprint compatible with TPS2513(A)/TPS2514(A)
- NS3602
 - Dual USB Port Controller
 - Compatible TPS2513(A), VP202, UC2632
- NS3603
 - Single USB Port Controller
 - Compatible TPS2514(A), VP203, UC2631

Pin Out



NOREL Systems Ltd.

8 Huatian Road, Building B, Suite 1108, Hi-tech Information Square, Huayuan Industrial Park, Tianjin, China