

NS6129 Dual 12.8Gbps HSMT to Dual OpenLDI Automotive Deserializer

Introduction

The NS6129 deserializer chip is compliant to Automotive Wired High-Speed Media Transmission (HSMT) standard. Pairing with a compatible HSMT serializer, the NS6129 is used for transmission of forward video and bidirectional audio and control data for automotive display applications. The NS6129 receives the HSMT input over a single or dual HSMT links and converts the input to OpenLDI formatted output. Each HSMT link operates at a fixed data rate up to 12.8Gbps in the forward direction and 100Mbps in the backward direction. The NS6129 supports 15 meters Coaxial cable or 8 meters Shielded Twisted Pair (STP) cable at 12.8Gbps. The NS6129 is AEC-Q100 Grade 2 certified with automotive temperature range of -40 °C to +105 °C, and meets ISO 10605 and IEC 61000-4-2 ESD requirements.

The NS6129 is ISO 26262 ASIL-B certified and supports I2C and SPI control ports, flexible GPIO with trigger mode, constant latency mode and oversample mode, tunneled UART, forward and backward audio channels, a built-in ADC, temperature sensor, and an extensive set of diagnostics for functional safety.

Applications

- High-resolution Automotive Navigation System
- Central Information Display (CID)
- Digital Instrument Clusters
- Rear Seat Entertainment (RSE)
- Head Units and HMI Modules
- Rear View and Side Mirror Displays

Features

- 1x5-lane, 2x5-lane, or 1x10-lane OpenLDI outputs
 - Configurable 18/24/30-bit RGB
 - Maximum pixel clock 210MHz (1x5-lane, 2x5-lane) or 420MHz (1x10-lane)
 - Supports video aggregation
- HSMT link for system and power flexibility
 - Supports two HSMT links
 - 2.0, 3.2, 4.0, or 6.4Gbps forward-link rates (NRZ)
 - 8.0 or 12.8Gbps forward-link rates (PAM4)
 - 100Mbps backward-link rate per link
- Supports multiple resolutions (such as 3088x1728/2880x1880) with 24-bit color depth
- Robust communication in automotive environment
 - Forward channel adaptive equalization
 - RS-FEC for protection of forward video and bidirectional control data
 - Video data error correction and retransmission
 - Advanced DSP continuously tracking changes in cable, connector, PCB and other channel characteristics over time and temperature
- Digital audio with I2S and TDM interface
 - Supports forward-direction 7.1 HD audio and up to 192kHz sample rate
 - Supports backward-direction 8 channels at 48kHz sample rate or 2 channels at 192kHz sample rate
- Supports bulk and tunneling modes I2C (master up to 833Kbps, slave up to 1Mbps)
- Supports SPI (master/slave up to 50Mbps), UART (Tx/Rx), GPIO, and interrupt for touch-screen and other use cases
- AEC Q100 Grade-2 and ISO 26262 ASIL-B
- CRC protection of control data over I2C and SPI
- Supports image enhancement features
- Video watermark and test pattern generation
- Supports line fault detection and voltage monitor
- 9mm x 9mm 76-pin QFN package

NOREL Systems Ltd.

Floor 11-12, West Tower, Putian Innovation Industrial Park, No. 22 Kaihua Road, Huayuan, Tianjin, China

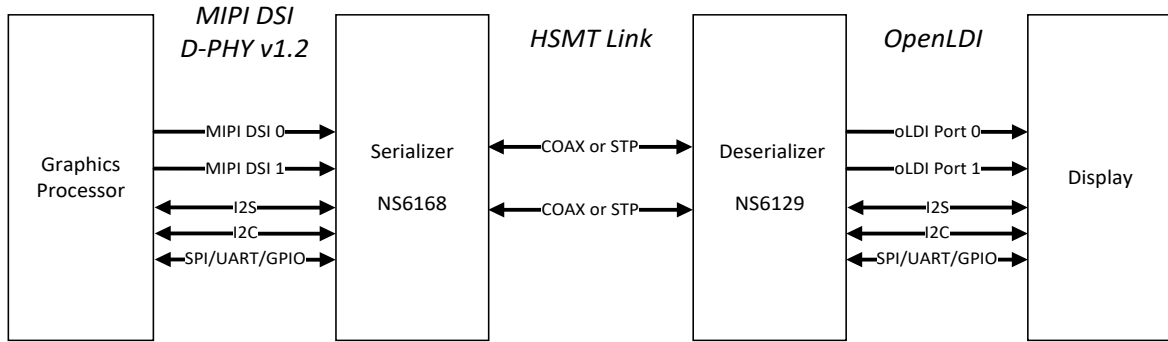


Figure 1. Application Example

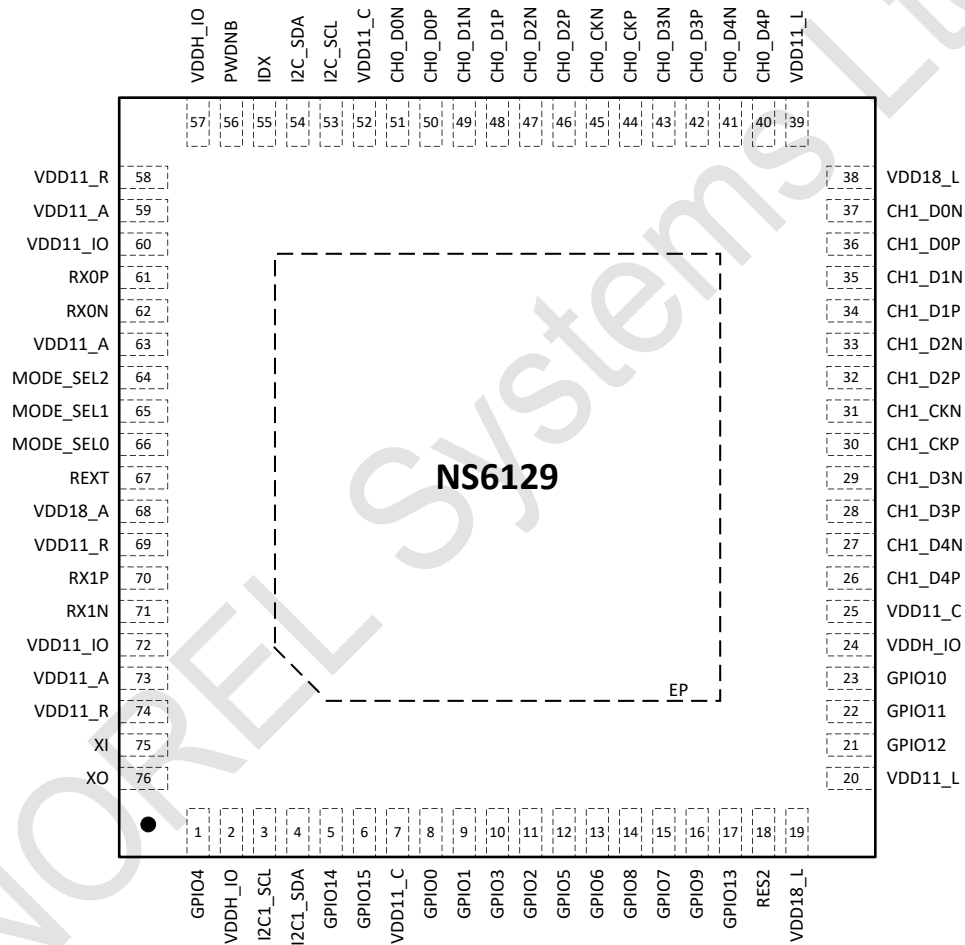


Figure 2. NS6129 Pinout